

Side Panel

ASSEMBLY GUIDE

IMPORTANT

- 1.. The cubicle can be constructed either way up, for left or right hand opening.
- 2.. These instructions and list of parts assume that installation is done against solid or tiled walls. Hollow or "Stud - partition" walls will require alternative fixings. Please consult a hardware supplier for the correct type. It may also be necessary to consult your tiling supplier about the correct method for drilling your tiles.
- 3.. Please check this product for damage prior to starting the installation. No claims can be made after the products have been fitted, or after fitting has commenced.
- 4.. This is a 2 person installation.
- 5.. Please note the minimum and maximum adjustment for this product are based on perfectly plumb walls.

Tools Required *Please note hand tools NOT supplied.*



Drill



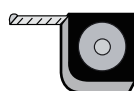
7mm Masonry Drill
3.2mm HSS Drill



Spirit Level



Pencil



Tape Measure

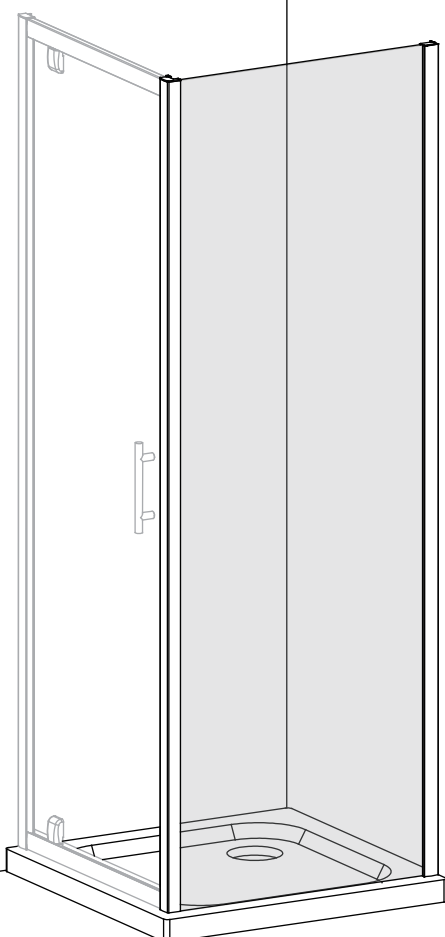


PH2 TYPE
Screwdriver

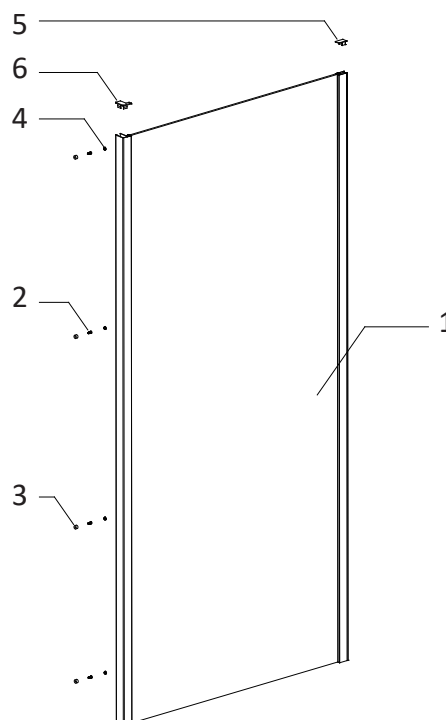


Sealant Gun

Note: Instruction shows fitting of a Side panel with a Pivot door as an example only. This Side panel can fitted with any Series 1 doors.



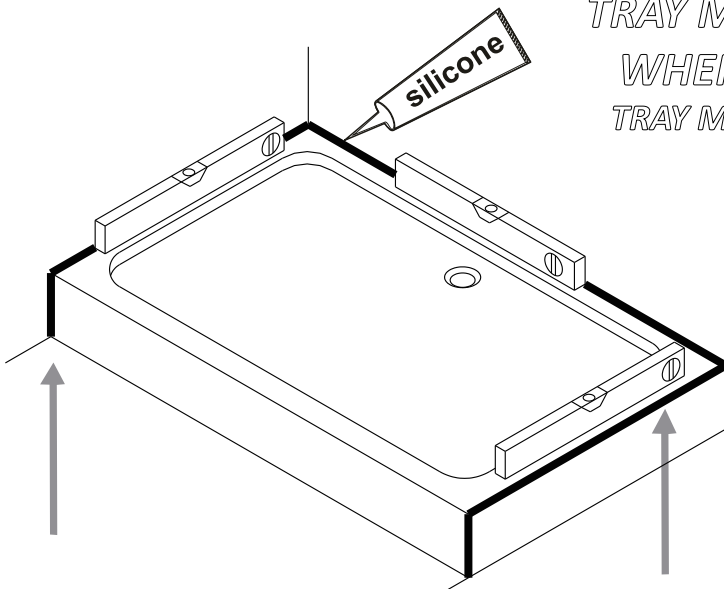
EXPLODED VIEW AND PARTS LIST



Part List

SN	CODE	Description	Qty	Image
1	N/M	Side Panel Glass	1	
2	SBLTL003	ST3.5x12 Tapping Screw	4	
3	S1PS07	Screw Cup	4	
4	S1PS08	Screw Cap	4	
5	S1PS05	Upright Profile Cap	1	
6	S1PS06-L/R	Corner Post Cap LH/RH	2	

*TRAY MUST BE SEALED FULLY AROUND
WHERE THE TRAY MEETS THE WALL
TRAY MUST BE 100% LEVEL IN ALL DIRECTIONS*



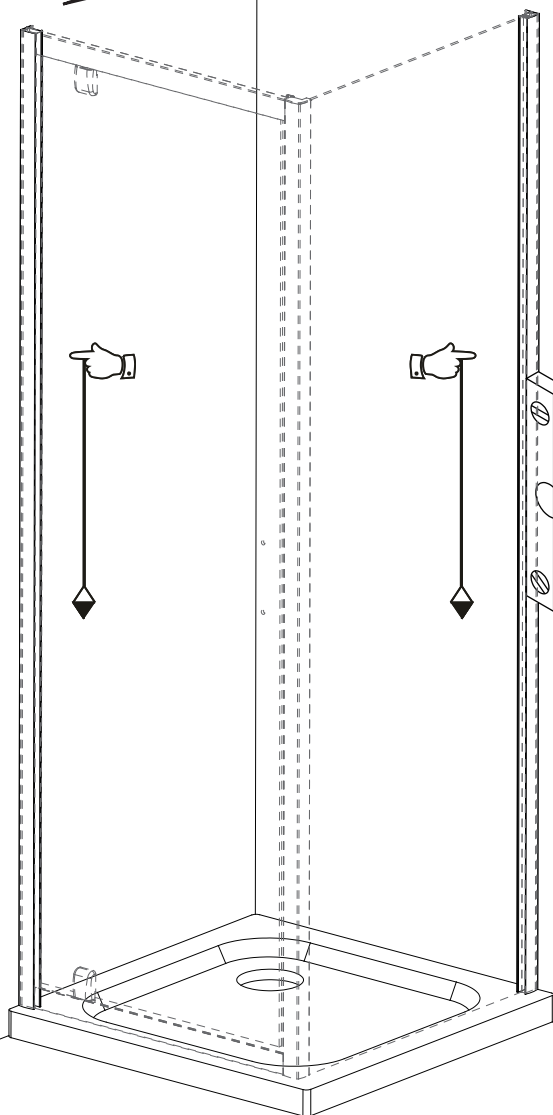
**TRAY MUST BE 100% LEVEL IN ALL DIRECTIONS
TRAY MUST BE SEALED FULLY AROUND WHERE
THE TRAY MEETS THE WALL**

Ensure the shower tray is level in all directions and is properly sealed to the wall. The wall must be tiled down to the top edge of the tray. Do not angle out bottom tile.

Note:

*For installation of the Pivot door, Bi-fold door or Sliding door, please see the door instruction manual. Pivot door must be hinged door to the wall **NOT** the side panel.*

A



Step A

Position the assembled door panel and Side panel (with wall profile fully pushed into frame) onto the tray and decide on the step in from the edge of the tray to wall channels. The wall channel can be adjusted until door is positioned correctly on the tray.

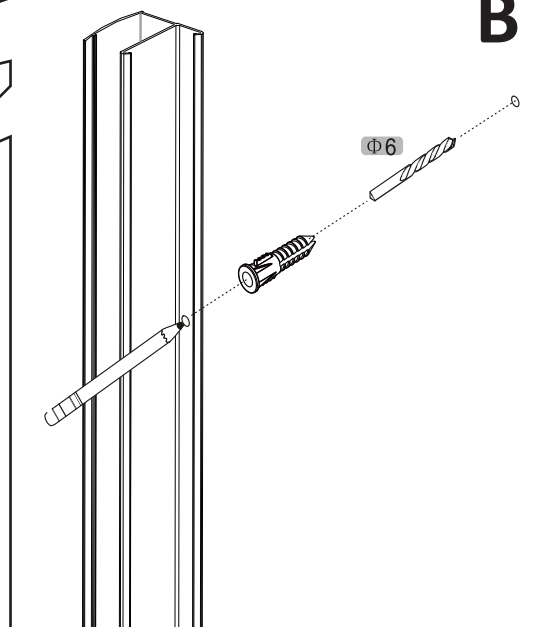
IMPORTANT:

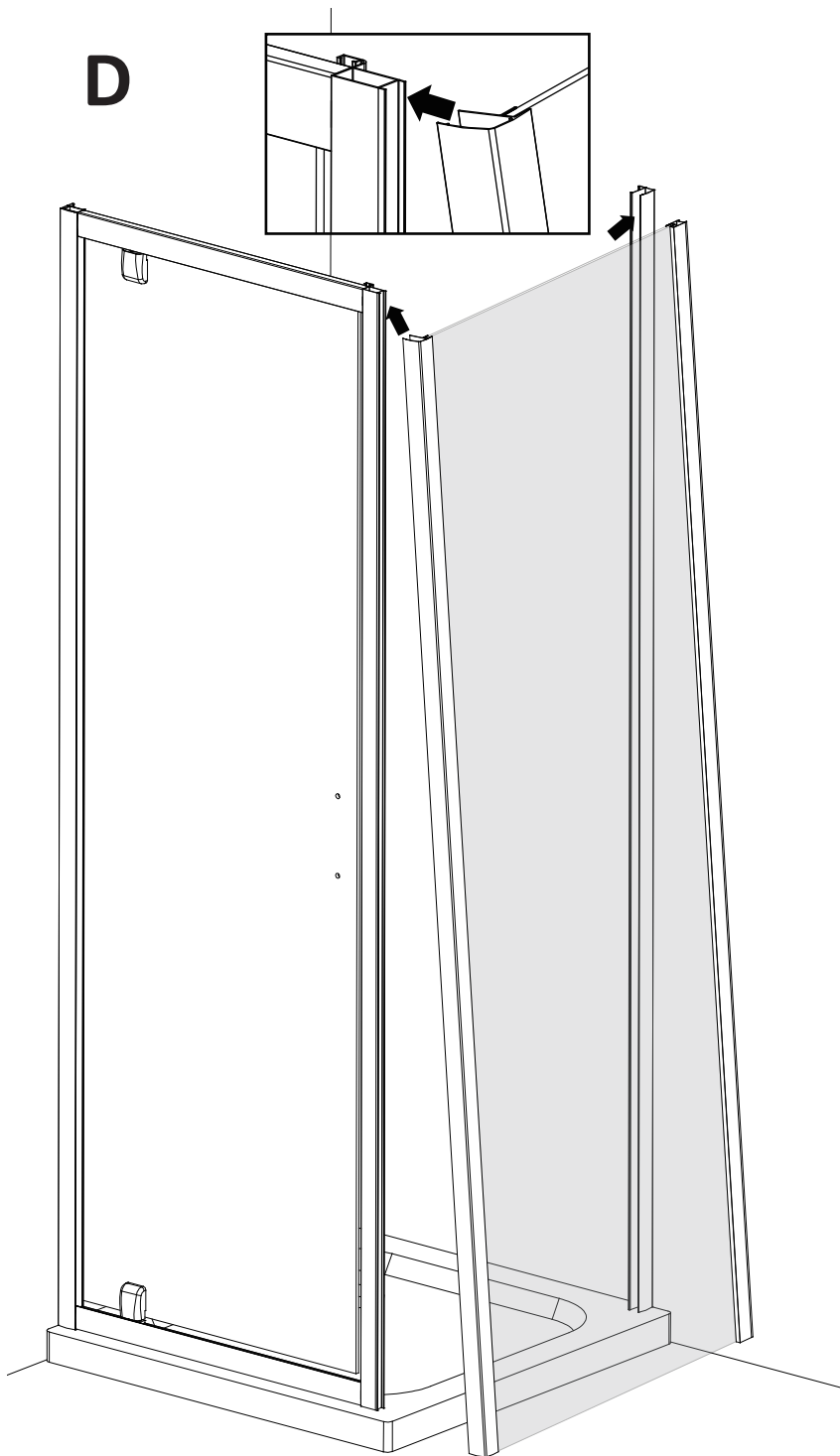
Ensure the door magnetic strips close properly.

Step B

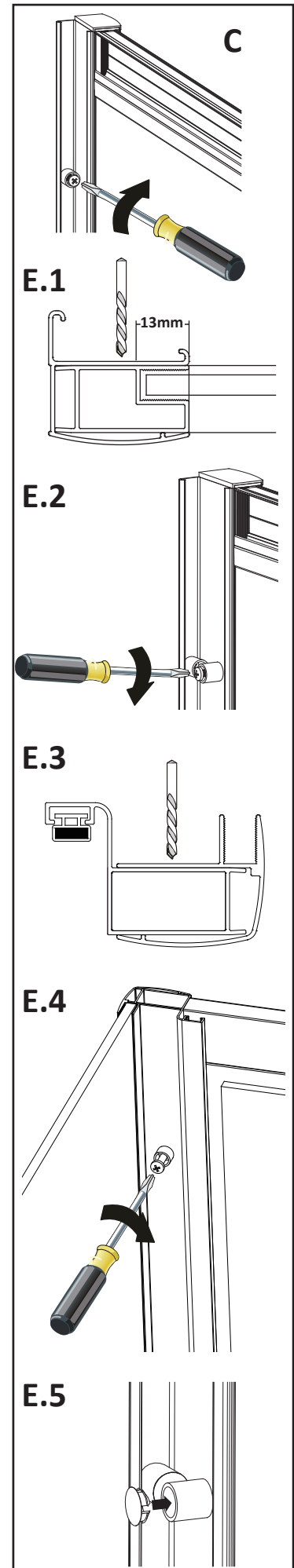
*Remove the frame from the tray. Position the wall channels back on the tray ensuring the wall channels are plumb, mark the position of the holes in the wall. Do this by marking the wall with a pencil through the pre-drilled holes in the wall channels. Drill with 6mm masonry drill bit and insert wall plug **S1PS12**. Slot wall channels into the door frame, then lift door onto the tray.*

B



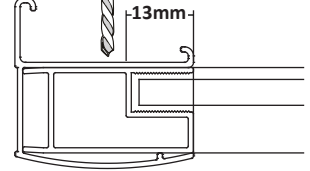


D

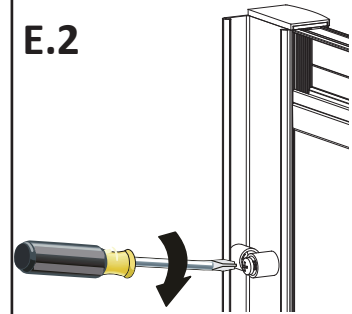


C

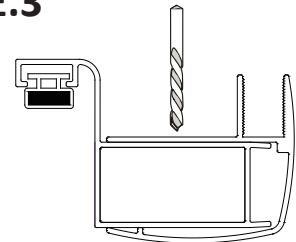
E.1



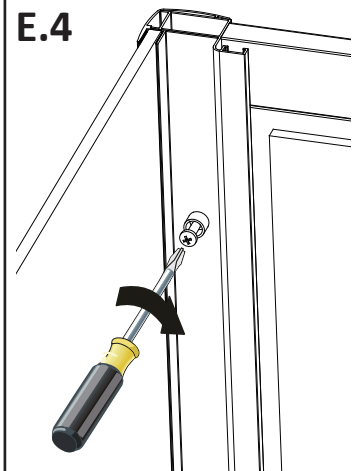
E.2



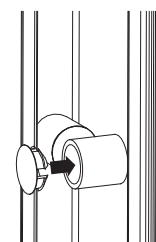
E.3



E.4



E.5



Step C

Fix the wall channel with screw cover cup **S1PS07** and screw **ST4x30 (SBLTL013)** to wall.

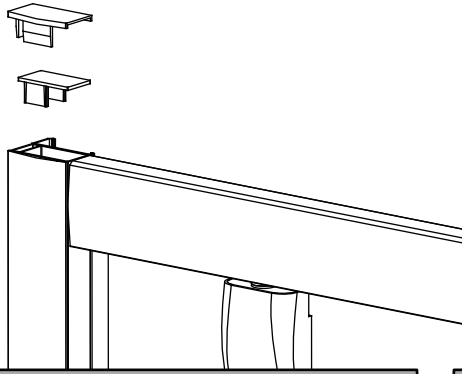
Step D

Insert the Side panel into the wall channel and also into the frame of the Pivot door. Adjust so it is positioned correct on the tray.

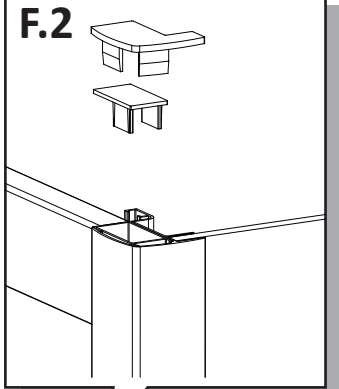
Step E

Drill 3 equally spaced holes with 3mm drill bit through the wall channel and frame and Side panel. Fix the frame and side panel to the wall profile with screw cover cup **S1PS07** and screw **ST3.5x12 (SBLTL003)**. Then put the screw cover cap **S1PS08** on.

F.1



F.2



24 HRS



DO NOT USE THE ENCLOSURE FOR 24 HOURS AFTER SEALING

Step F

*Put the upright profile cap **S1PS05**, wall channel cap **S1PS04L/R** and corner profile cap **S1PS06L/R** on.*

Step G

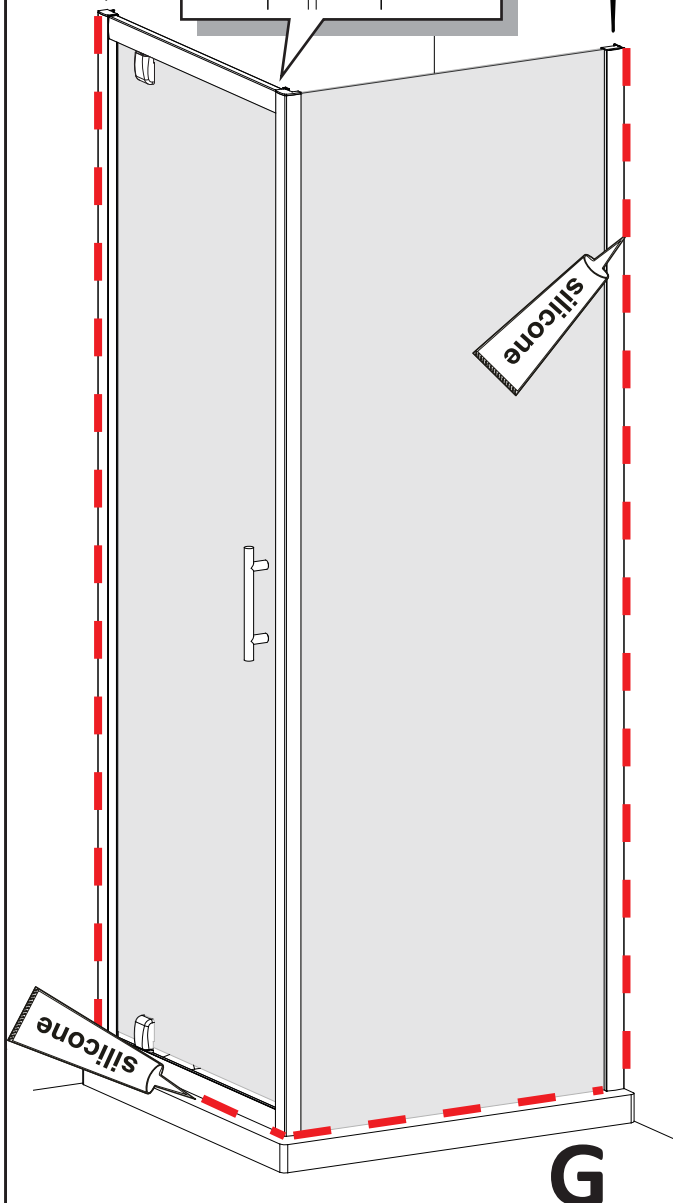
Applying Silicone Sealant

When applying silicone sealant follow the red line shown in the diagram on the outside only.

IMPORTANT: *Do not apply sealant on inside of the tray where the door meets the tray horizontally.*

Sealing Outside

Seal horizontally between the tray and the bottom profile. Also seal vertically around 30mm between the wall channel and wall and also between the wall channel and the vertical profile.



G